

PP FOOT VALVE - Flange End



TECHNICAL DATA :

CONSTRUCTION : Ball type, Soft seated

DESIGN AND MANUFACTURING STD. : As per Manufacturer's Standard

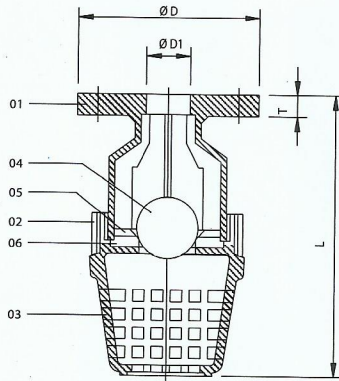
END CONNECTIONS : Flanged as per ANSI B 16.5 (150 #) as per BS 10 (Table D/E/F) & DIN STD.

AVAILABLE M.O.C. :

PP (POLYPROPYLENE)

ISOTACTIC PP

PVDF (POLYVINYLIDENE FLUORIDE)



NO.	DESCRIPTION	MATERIAL OPTION	QTY.
01	TOP BODY	PP / ISOPP / PVDF	1
02	BOTTOM BODY	PP / ISOPP / PVDF	1
03	SCREEN	PP / ISOPP / PVDF	1
04	BALL	M.S.PP / ISOPP / PVDF COATED	1
05	BALL RING	PP / ISOPP / PVDF	1
06	SEAT RING	NEOPRENE RUBBER	1

ALL DIMENSIONS ARE IN MM (±2 MM)

SIZE		Ø D	Ø D1	H	T
IN.	MM				
1 "	25	122.5	26.0	189.0	18.0
1 ½ "	40	140.0	45.0	212.0	21.0
2 "	50	166.5	51.0	218.0	23.0
2 ½ "	65	182.0	64.5	295.0	25.0
3 "	80	199.0	77.5	300.0	26.0
4 "	100	229.0	102.0	368.0	26.0
6 "	150	308.0	150.0	460.0	30.0
8 "	200	368.0	203.0	464.0	27.0

Note : We will also provide in :

- SS 316 Parts
 - EPDM / Viton Rubber
 - M.O.C.: PVDF / PP-H
- for details & prices Contact us.

WORKING PRESSURE		
BODY	SEAT	TEMP.
150 PSI	100 PSI	80° C